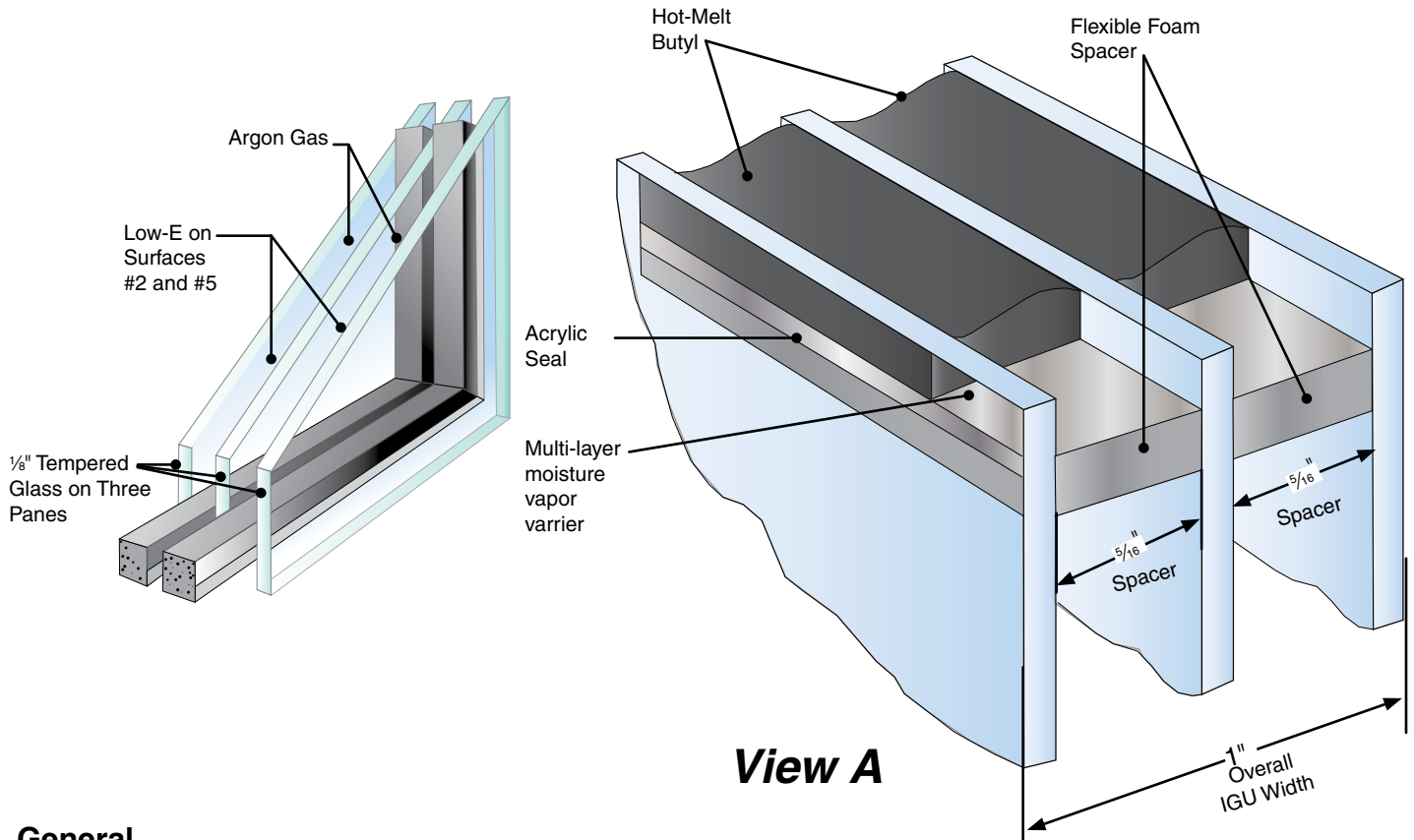




TLA INSULATED GLASS SPECIFICATIONS



View A

General

ProVia's TLA insulated glass is standard tempered in all Entry Door applications and complies with ASTM E 2190 Insulated Glass and ASTM C1048 Tempered Glass Specifications.

Standard Construction

TLA glass is comprised of 3 sheets of 1/8" thick tempered glass utilizing two 5/16" thick Super Spacers® (E-Class) giving the insulated glass unit an overall thickness of 1". The standard construction method is an 1/8" tempered pane of glass with Low-E coating on Surface #2 and then lined with a Super Spacer (E-Class) and followed with an 1/8" tempered clear pane of glass and lined with a Super Spacer (E-Class) followed by another piece of 1/8" tempered pane of glass with the Low-E coating on Surface #5. The insulated glass unit is then placed into a chamber where the Argon gas is inserted into each cavity providing a typical initial gas fill of 90%. After the Argon gas has been inserted, the entire insulated glass unit is then sealed with a Bostick® 5197 hot-melt butyl sealant on all perimeters. The low emissivity coating on Surfaces #2 and #5 is a double layer of Silver.

Super Spacer

Super Spacer (E-Class) is extruded as a flexible organic foam warm edge spacer. Its polymer EPDM (ethylene-propylene-diene-monomer) is well-known in the industry for its excellent resistance to ozone, weathering, water and aging, while maintaining its flexibility through wide changes in temperature and barometric pressure.

With its multi-layer vapor barrier and acrylic adhesive, Super Spacer (E-Class) provides superior Argon gas retention and optimal thermal performance. Its all foam construction is 950 times less conductive than aluminum spacer systems, resulting in its industry-leading condensation resistance.

Super Spacer (E-Class) complies with ASTM E2188, ASTM E2189, and ASTM E2190.

Version 1.2, 09.07.2011 - © 2011 ProVia



2150 State Route 39, Sugarcreek, OH 44681
330.852.4711 330.852.2107 fax
www.proviadoor.com